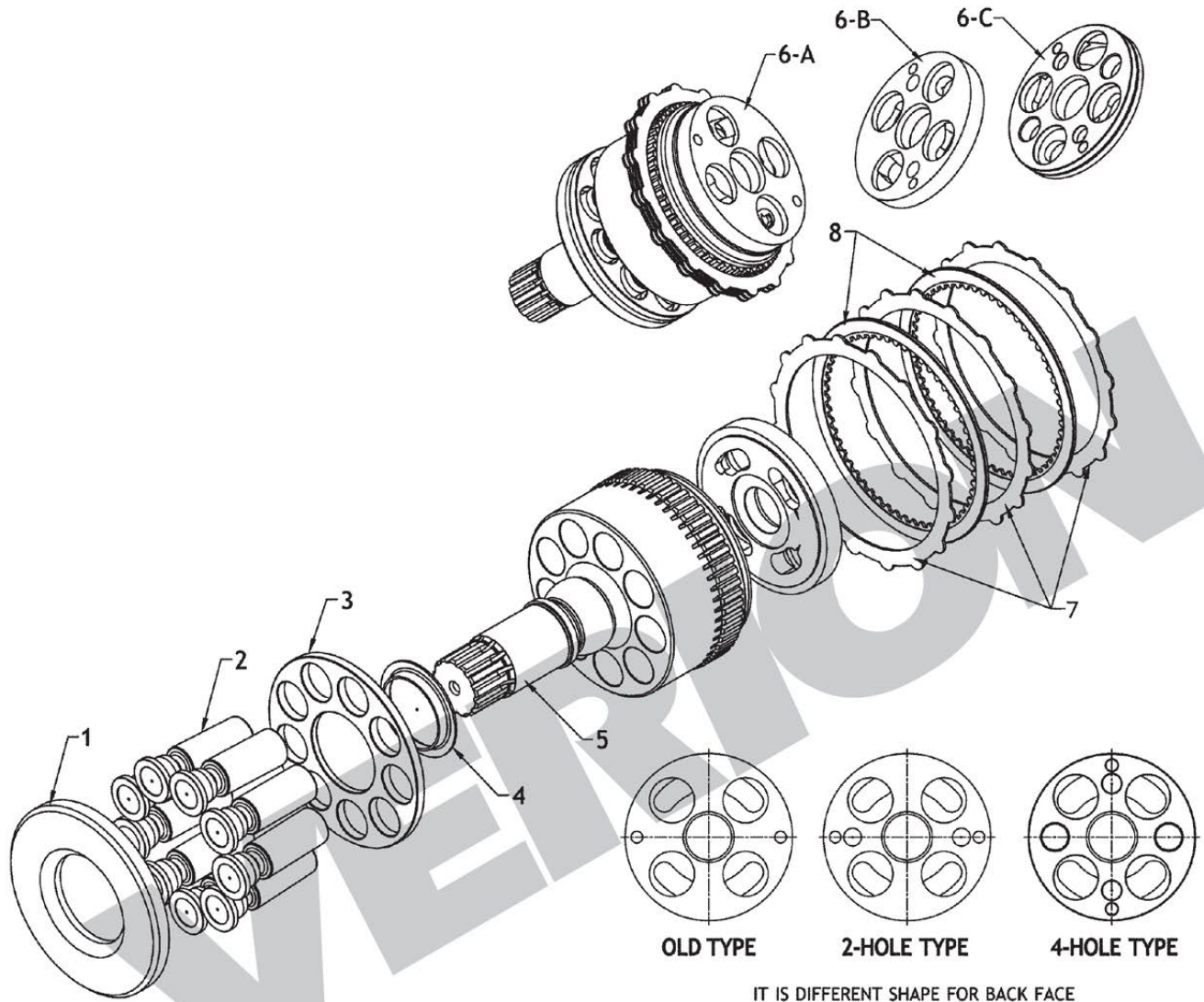


MFB 80-150-160-200-250

FOR SG015/025/03/04/08/15/20
MFB80/150/160/170/180/190/200/250

ITEM (编号)	DESCRIPTION	名称	QUANTITY (数量)	REMARK (备注)
1	SHOE PLATE	钢片	1	
2	PISTON SHOE	柱塞	9	
3	SET PLATE	定位盘	1	
4	SPRING OF SET PLATE	定位盘弹簧	1	
5	CYLINDER BLOCK	泵胆	1	
6-A	VALVE PLATE(OLD TYPE)	配流盘(旧款)	1	
6-B	VALVE PLATE(2-HOLE TYPE)	配流盘(新款)	1	
6-C	VALVE PLATE(4-HOLE TYPE)	配流盘	1	
7	SEPARATION PLATE	分离盘	3	
8	FRICITION PLATE	摩擦片	2	

Para mayor información consultar a nuestro departamento técnico.

Calle 89 Int. A. Campos 1617/23 • B1650BFA San Martín • Bs As • Argentina
Tel.: (011) 4724-1300 • Fax: (011) 4724-1331
E-mail: ventas@verion.com.ar • http://www.verion.com.ar

Maiores informações, consulte nosso depto de vendas técnicas.

Rua Pedro de Toledo 175 • Guarulhos • SP Brasil 07140-000
Fone: ++ 55 11 2100-7400 • Fax: ++ 55 11 2100 6100-7409
E-mail: verion@verion.com.br • http://www.verion.com.br