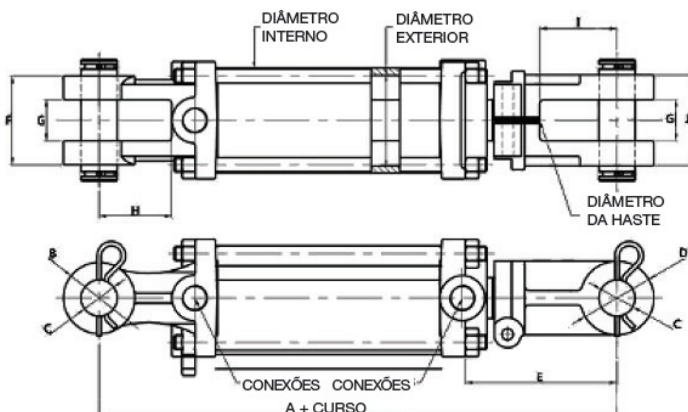


Cilindro duplo efeito atirantado TTR



Código	Ø Haste	Diâmetro e curso	Dimensões		Conexão Tamanho	Ø Parafuso	Peso kg
			Retraído	Estendido			
TTR30-2004	1-1/8"	2"x4"	14-1/4"	18-1/4"	3/8"NPT & SAE#8	1"	8
TTR30-2006		2"x6"	16-1/4"	22-1/4"			9
TTR30-2008		2"x8"	18-1/4"	26-1/4"			9
TTR30-2008-ASAE		2"x8"	20-1/4"	28-1/4"			9
TTR30-2010		2"x10"	20-1/4"	30-1/4"			9,5
TTR30-2012		2"x12"	22-1/4"	34-1/4"			11
TTR30-2014		2"x14"	24-1/4"	38-1/4"			12
TTR30-2016		2"x16"	26-1/4"	42-1/4"			13
TTR30-2016-ASAE		2"x16"	31-1/4"	47-1/4"			13
TTR30-2018		2"x18"	28-1/4"	46-1/4"			13
TTR30-2020		2"x20"	30-1/4"	50-1/4"			14
TTR30-2024		2"x24"	34-1/4"	58-1/4"			16
TTR30-2030		2"x30"	40-1/4"	70-1/4"			18
TTR30-2036		2"x36"	46-1/4"	82-1/4"			18
TTR30-2040		2"x40"	50-1/4"	90-1/4"			19,5
TTR30-2048		2"x48"	58-1/4"	106-1/4"			22
TTR30-2504	1-1/4"	2.5"x4"	14-1/4"	18-1/4"	3/8"NPT & SAE#8	1"	8
TTR30-2506		2.5"x6"	16-1/4"	22-1/4"			10
TTR30-2508		2.5"x8"	18-1/4"	26-1/4"			11
TTR30-2508-ASAE		2.5"x8"	20-1/4"	28-1/4"			11,5
TTR30-2510		2.5"x10"	20-1/4"	30-1/4"			12
TTR30-2512		2.5"x12"	22-1/4"	34-1/4"			12,5
TTR30-2514		2.5"x14"	24-1/4"	38-1/4"			13
TTR30-2516		2.5"x16"	26-1/4"	42-1/4"			14
TTR30-2516-ASAE		2.5"x16"	31-1/4"	47-1/4"			15
TTR30-2518		2.5"x18"	28-1/4"	46-1/4"			15,5
TTR30-2520		2.5"x20"	30-1/4"	50-1/4"			16,5
TTR30-2524		2.5"x24"	34-1/4"	58-1/4"			18
TTR30-2530		2.5"x30"	40-1/4"	70-1/4"			20
TTR30-2536		2.5"x36"	46-1/4"	82-1/4"			21
TTR30-2540		2.5"x40"	50-1/4"	90-1/4"			22
TTR30-2548		2.5"x48"	58-1/4"	106-1/4"			25
TTR30-3004	1-3/8"	3"x4"	14-1/4"	18-1/4"	1/2"NPT & SAE#8	1"	10,5
TTR30-3006		3"x6"	16-1/4"	22-1/4"			11
TTR30-3008		3"x8"	18-1/4"	26-1/4"			12
TTR30-3008-ASAE		3"x8"	20-1/4"	28-1/4"			14,5
TTR30-3010		3"x10"	20-1/4"	30-1/4"			15
TTR30-3012		3"x12"	22-1/4"	34-1/4"			15
TTR30-3014		3"x14"	24-1/4"	38-1/4"			16
TTR30-3016		3"x16"	26-1/4"	42-1/4"			18
TTR30-3016-ASAE		3"x16"	31-1/4"	47-1/4"		18	
TTR30-3018		3"x18"	28-1/4"	46-1/4"		19	
TTR30-3020		3"x20"	30-1/4"	50-1/4"		20,5	
TTR30-3024		3"x24"	34-1/4"	58-1/4"		21,5	
TTR30-3030		3"x30"	40-1/4"	70-1/4"		24	
TTR30-3036		3"x36"	46-1/4"	82-1/4"		28	
TTR30-3040		3"x40"	50-1/4"	90-1/4"		28,5	
TTR30-3048		3"x48"	58-1/4"	106-1/4"		30	

Código	Ø Haste	Diâmetro e curso	Dimensões		Conexão Tamanho	Ø Parafuso	Peso kg		
			Retraído	Estendido					
TTR30-3504	1-3/8"	3,5"x4"	14-1/4"	18-1/4"	1/2"NPT & SAE#8	1"	13,5		
TTR30-3506		3,5"x6"	16-1/4"	22-1/4"			15		
TTR30-3508		3,5"x8"	18-1/4"	26-1/4"			16		
TTR30-3508-ASAE		3,5"x8"	20-1/4"	28-1/4"			16,5		
TTR30-3510		3,5"x10"	20-1/4"	30-1/4"			17		
TTR30-3512		3,5"x12"	22-1/4"	34-1/4"			17,5		
TTR30-3514		3,5"x14"	24-1/4"	38-1/4"			18,5		
TTR30-3516		3,5"x16"	26-1/4"	42-1/4"			21		
TTR30-3516-ASAE		3,5"x16"	31-1/4"	47-1/4"			21		
TTR30-3518		3,5"x18"	28-1/4"	46-1/4"			21,5		
TTR30-3520		3,5"x20"	30-1/4"	50-1/4"		22			
TTR30-3524		3,5"x24"	34-1/4"	58-1/4"		24,5			
TTR30-3530		3,5"x30"	40-1/4"	70-1/4"		29			
TTR30-3536		3,5"x36"	46-1/4"	82-1/4"		30			
TTR30-3540		3,5"x40"	50-1/4"	90-1/4"		32			
TTR30-3548		3,5"x48"	58-1/4"	106-1/4"		33			
TTR30-4004		1-3/4"	4"x4"	14-1/4"		18-1/4"	1/2"NPT & SAE#8	1"	18,5
TTR30-4006			4"x6"	16-1/4"		22-1/4"			20,5
TTR30-4008			4"x8"	18-1/4"		26-1/4"			22
TTR30-4008-ASAE			4"x8"	20-1/4"		28-1/4"			22,5
TTR30-4010	4"x10"		20-1/4"	30-1/4"	23,5				
TTR30-4012	4"x12"		22-1/4"	34-1/4"	25,5				
TTR30-4014	4"x14"		24-1/4"	38-1/4"	27				
TTR30-4016	4"x16"		26-1/4"	42-1/4"	29				
TTR30-4016-ASAE	4"x16"		31-1/4"	47-1/4"	31				
TTR30-4018	4"x18"		28-1/4"	46-1/4"	31				
TTR30-4020	4"x20"		30-1/4"	50-1/4"	33				
TTR30-4024	4"x24"		34-1/4"	58-1/4"	36,5				
TTR30-4030	4"x30"		40-1/4"	70-1/4"	42				
TTR30-4036	4"x36"		46-1/4"	82-1/4"	47				
TTR30-4040	4"x40"		50-1/4"	90-1/4"	52,5				
TTR30-4048	4"x48"		58-1/4"	106-1/4"	63,5				
TTR30-5004	2"		5"x4"	16-1/4"	20-1/4"	1/2"NPT & SAE#10		1-1/4"	27
TTR30-5006			5"x6"	18-1/4"	24-1/4"				28,5
TTR30-5008			5"x8"	20-1/4"	28-1/4"				30,5
TTR30-5010			5"x10"	22-1/4"	32-1/4"				32
TTR30-5012		5"x12"	24-1/4"	36-1/4"	34				
TTR30-5014		5"x14"	26-1/4"	40-1/4"	36,5				
TTR30-5016		5"x16"	28-1/4"	44-1/4"	37				
TTR30-5016-ASAE		5"x16"	31-1/4"	47-1/4"	38				
TTR30-5018		5"x18"	30-1/4"	48-1/4"	41				
TTR30-5020		5"x20"	32-1/4"	52-1/4"	43				
TTR30-5024		5"x24"	36-1/4"	60-1/4"	45,5				
TTR30-5030		5"x30"	42-1/4"	72-1/4"	49				
TTR30-5036		5"x36"	48-1/4"	84-1/4"	53,5				
TTR30-5040		5"x40"	50-1/4"	90-1/4"	63,5				
TTR30-5048		5"x48"	60-1/4"	108-1/4"	73				



Código	Diâmetro interno	Diâmetro exterior	*A	B	*C	D	*E	F	*G	H	I	J	Diâmetro da haste	Conexões
TTR3-20-	2.00"	2.50"	10.25"	2.00"	1.01"	2.00"	3.75"	2.25"	1.12"	2.06"	2.12"	2.62"	1.125-12 UNF	SAE #8
TTR3-25-	2.50"	3.00"	10.25"	2.00"	1.01"	2.00"	3.75"	2.25"	1.12"	2.06"	2.12"	2.62"	1.125-12 UNF	SAE #8
TTR3-30-	3.00"	3.50"	10.25"	2.25"	1.01"	2.25"	3.75"	2.25"	1.12"	2.06"	2.12"	2.62"	1.250-12 UNF	SAE #8
TTR3-35-	3.50"	4.00"	10.25"	2.50"	1.01"	2.50"	3.62"	2.62"	1.12"	2.06"	2.12"	2.75"	1.250-12 UNF	SAE #8
TTR3-40-	4.00"	4.50"	10.25"	2.50"	1.01"	2.50"	3.56"	2.62"	1.12"	2.06"	2.12"	2.75"	1.250-12 UNF	SAE #8
TTR3-50-	5.00"	5.50"	12.25"	2.87"	1.26"	2.75"	4.18"	3.50"	*	2.25"	2.12"	3.31"	1.500-12 UNF	SAE #10
*Para 203.2" ASAE curso: *A=311.15" e para 406.4" ASAE curso: *A=393.7"														
*Para 203.2" curso: *E=146.05" (50.8" a 76.2" furo) *E=142.748" (88.9" furo) *E=141.224" (101.6" furo)														
*Para 406.4" ASAE curso: *E=228.6" (76.2" furo) *E=225.298" (88.9" furo) *E=223.774" (101.6" furo) *E=188.722" (127" furo)														
*Para 127" furo: G(forquilha dianteira)=29.972" *G(tampa final)=33.274"														
*Para 406.4" ASAE curso: *C=32.004"														
Range de temperatura das vedações= -30°C/+100°C(-22°F/+212°F)														
Velocidade máxima das vedações: 1 m/s														
Pressão máxima de trabalho retraída= 3000 PSI														
As dimensões A e E são apenas para referência, uma vez que a forquilha é ajustável														